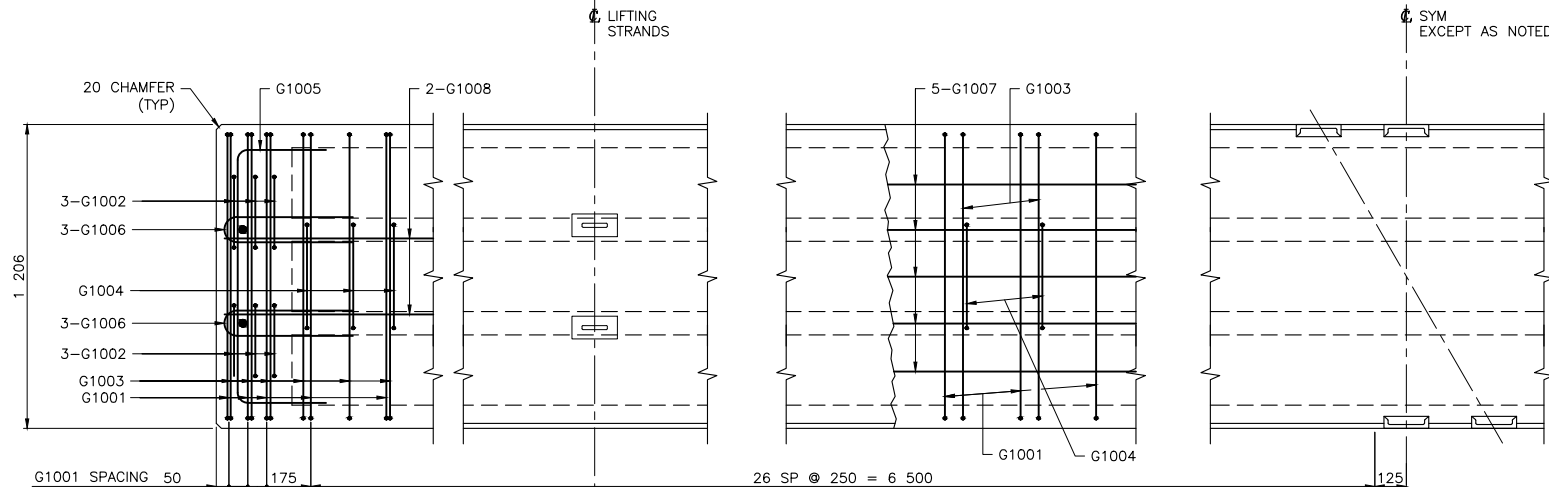
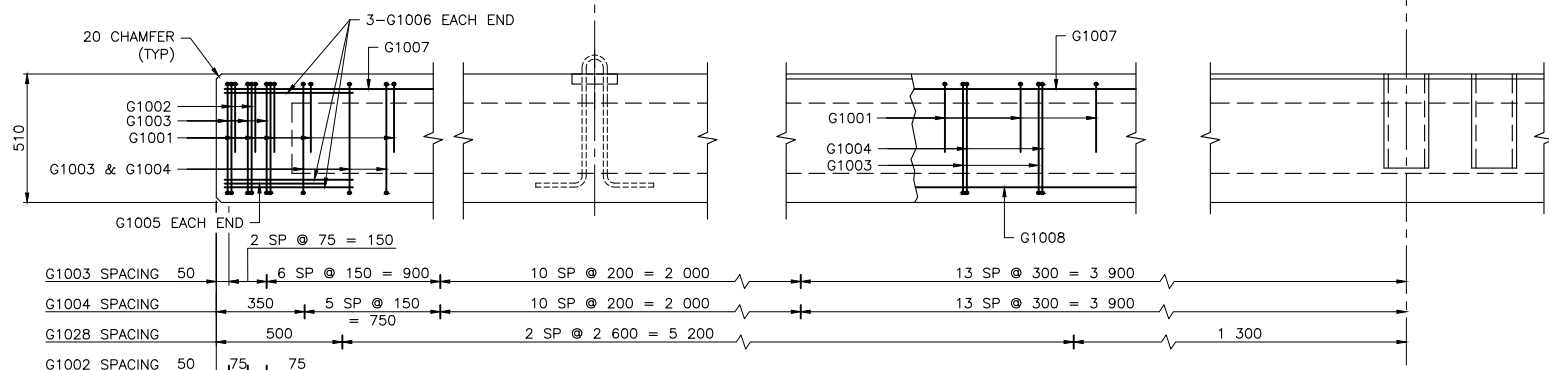


* NOTE:
FOR BACKWALL TYPE ABUTMENTS, DOWEL HOLES SHALL BE 45 DIA WITH THE CENTERLINE OF HOLE LOCATED 235 FROM THE END OF GIRDER REFER TO STANDARD DRAWING S-111-24 FOR ADDITIONAL DETAILS.

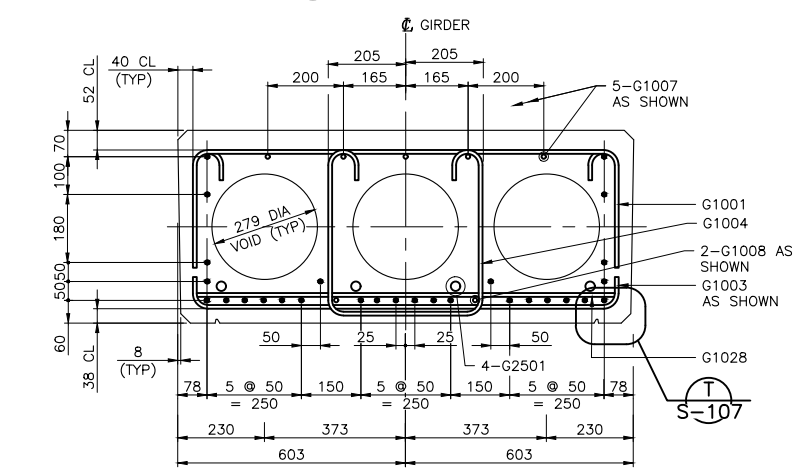
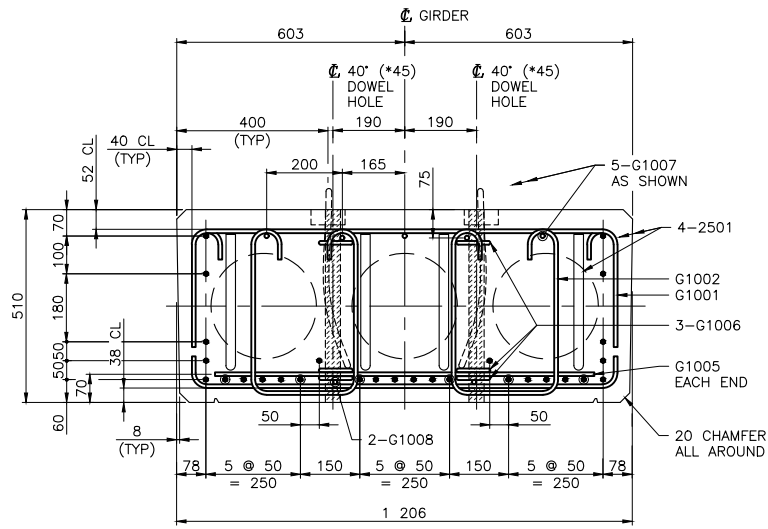


NOTE:
BEND REINFORCING BAR WHERE NECESSARY TO ACCOMMODATE CHANNEL CONNECTORS. STIRRUP SPACING TO BE MAINTAINED.



NOTE:
BEND REINFORCING BAR WHERE NECESSARY TO ACCOMMODATE CHANNEL CONNECTORS. STIRRUP SPACING TO BE MAINTAINED.

*NOTE:
FOR BACKWALL TYPE ABUTMENTS, DOWEL HOLES SHALL BE 45 DIA WITH THE CENTERLINE OF HOLE LOCATED 235 FROM THE END OF GIRDER REFER TO STANDARD DRAWING S-111-24 FOR ADDITIONAL DETAILS.



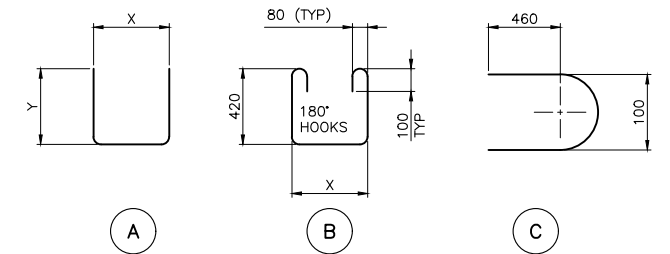
GENERAL NOTES

- FOR ADDITIONAL NOTES, REFER TO DWG S-107-24.
- 28 - 15 ϕ 7 WIRE STRANDS REQUIRED PER GIRDER.
- STRANDS MARKED \odot ARE TO BE DEBONDED FOR 1 800 mm FROM THE GIRDER ENDS.
- FORCE IN PRESTRESSING STEEL:
INITIAL TENSION BEFORE RELEASE = 195 kN/STRAND
DESIGN LOAD AFTER LOSSES = 148 kN/STRAND
- FINAL SLS IN BOTTOM FIBRE AT MIDSPAN = 1.1 MPa.
- CALCULATED MASS OF ONE GIRDER = 16.2 TONNES.

BAR LIST: FOR SQUARE GIRDER

MARK	SIZE	NO.	TYPE	X	Y	LENGTH	MASS
G1001	10	60	A	1 125	300	1 725	81
G1002	10	12	B	280		1 380	13
G1003	10	63	B	1 125		2 225	110
G1004	10	57	B	410		1 510	68
G1005	10	2	A	1 000	300	1 600	3
G1006	10	12	D			1 075	10
G1007	10	5	STR			13 900	55
G1008	10	2	STR			13 800	22
G1028	10	6	STR			1 100	5
G2501	25	4	A	13 850	350	14 550	228

TOTAL PLAIN kg: 595



* WORK THESE DRAWINGS TOGETHER: S-105-24, S106-24 AND S-107-24

Government of Northwest Territories
Consultant Logo

Rev	Date	Description	Init

Government of Northwest Territories

STANDARD DRAWING
PRESTRESSED CONCRETE 14 m TYPE SL-510
INTERIOR GIRDER

DESIGNED	K. HABEL	DATE	OCTOBER 25, 2024
CHECKED	K. WILLIS	DATE	OCTOBER 25, 2024
DRAWN	T. CHIU	DATE	OCTOBER 25, 2024
SCALE	AS SHOWN		

PROJECT No.		PREPARED UNDER THE DIRECTION OF	
		K. HABEL	
		ENGINEER OF RECORD	
		DATE	OCTOBER 25, 2024
		DRAWING No.	S-105-24

CANCEL PRINTS BEARING PREVIOUS LETTER