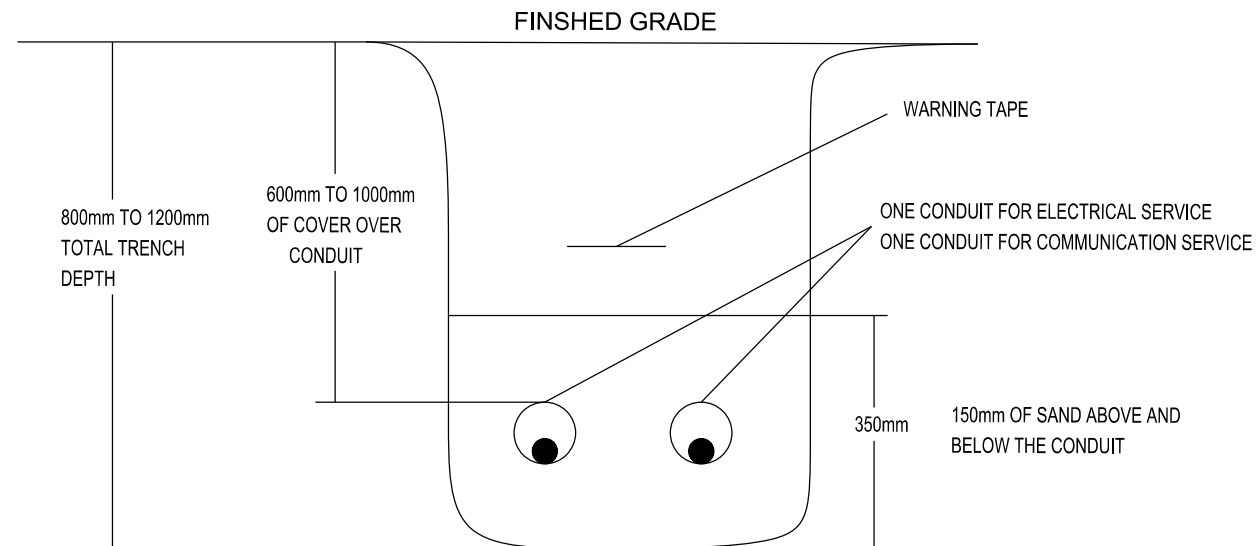
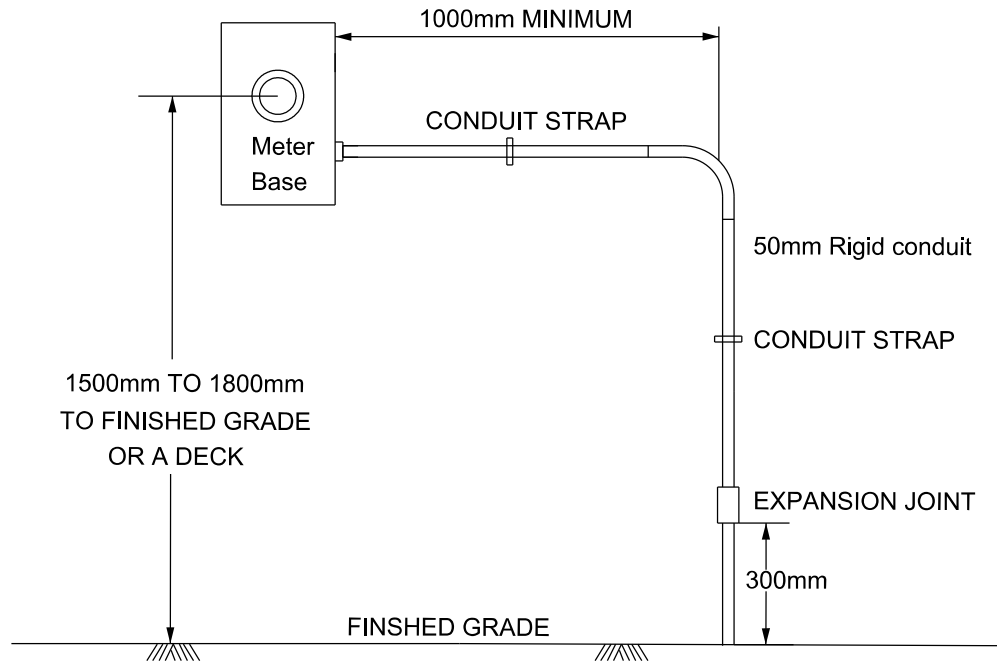


UNDERGROUND SECONDARY SPECIFICS FOR RESIDENTIAL ELECTRICAL SERVICES STANDARD AS OF MAY 20 2003



10mm NYLON BRAIDED PULL ROPE
INSTALLED WITH 1m ROPE
PAST EACH END OF DUCT

CUSTOMER

TO SUPPLY TRENCH, BACK FILL, ALL ABOVE GROUND MATERIALS AND SAND FILL
TO INSTALL CONDUIT IN TRENCH AND ALL ABOVE GROUND MATERIALS

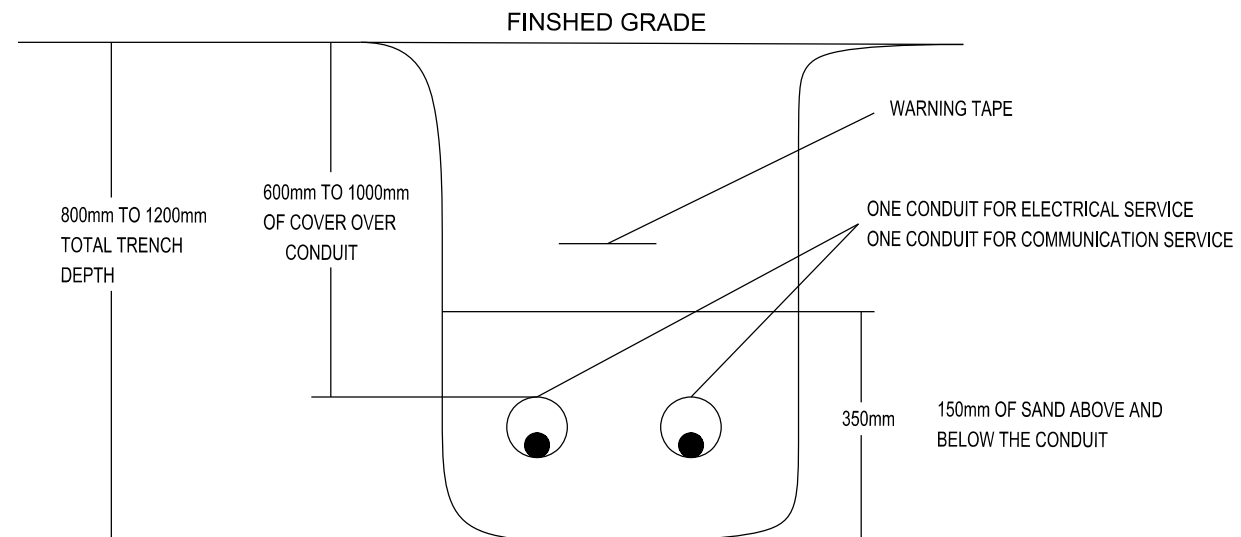
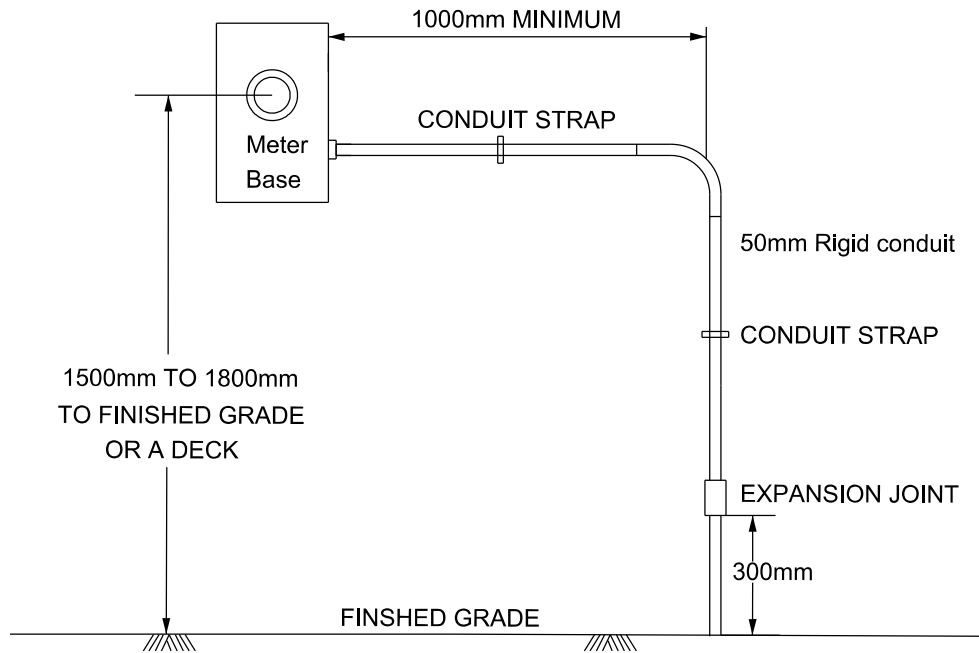
NORHLAND UTILITIES

TO SUPPLY THE CONDUIT, THE SERVICE CABLE AND THE METER
TO INSTALL THE SERVICE CABLE AND THE METER
TO SUPERVISE THE BACK FILL OF THE TRENCH

WATER/SEWER/GAS PIPELINE MINIMUM CLEARANCE IS 1000mm ANY DIRECTION
FROM BURIED ELECTRICAL CABLES

IF BUILDING FOUNDATIONS ARE ON BEDROCK AN ALTERNATE ARRANGEMENT MAYBE
APPROVED BY BOTH THE UTILITY AND ELECTRICAL INSPECTOR.
APPROVAL MUST BE OBTAINED BEFORE CONSTRUCTION

UNDERGROUND SECONDARY SPECIFICS FOR COMMERCIAL (≤ 200 AMP) ELECTRICAL SERVICES STANDARD



10mm NYLON BRAIDED PULL ROPE
 INSTALLED WITH 1m ROPE
 PAST EACH END OF DUCT

CUSTOMER

TO SUPPLY TRENCH, BACK FILL, ALL ABOVE GROUND MATERIALS AND SAND FILL
 TO INSTALL CONDUIT IN TRENCH AND ALL ABOVE GROUND MATERIALS
 TO SUPPLY THE CONDUIT, THE SERVICE CABLE
 TO INSTALL THE SERVICE CABLE

NORTHLAND UTILITIES

TO SUPPLY AND INSTALL METER
 TO COMPLETE CONNECTION TO POWER

WATER/SEWER/GAS PIPELINE MINIMUM CLEARANCE IS 1000mm ANY DIRECTION
 FROM BURIED ELECTRICAL CABLES

IF BUILDING FOUNDATIONS ARE ON BEDROCK AN ALTERNATE ARRANGEMENT MAYBE
 APPROVED BY BOTH THE UTILITY AND ELECTRICAL INSPECTOR.
 APPROVAL MUST BE OBTAINED BEFORE CONSTRUCTION