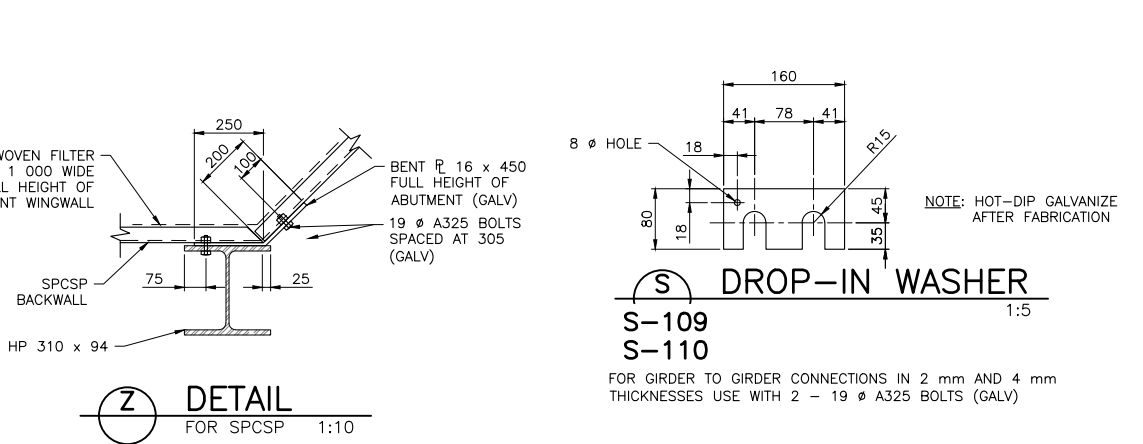
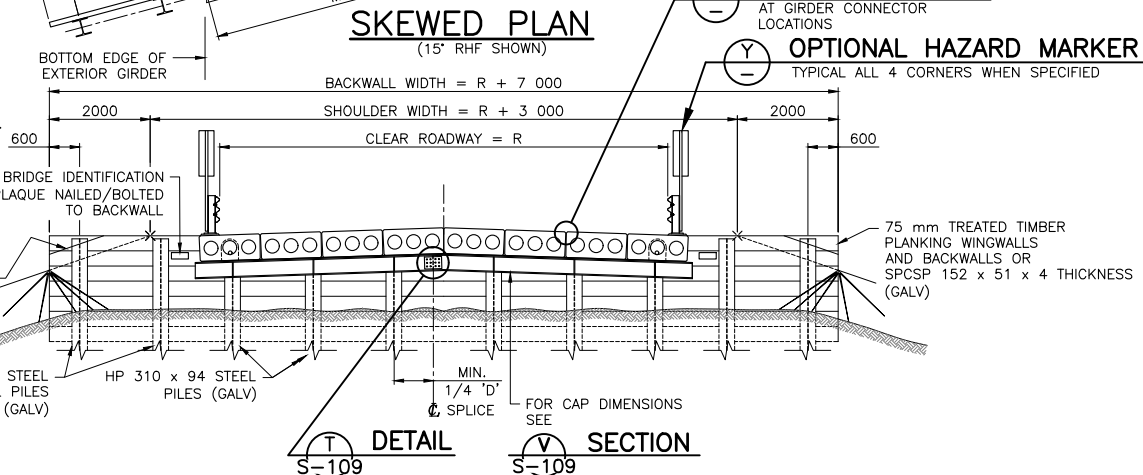
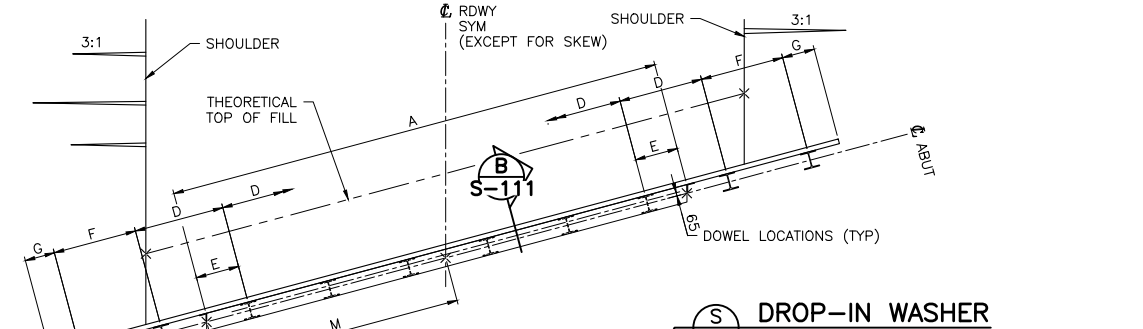
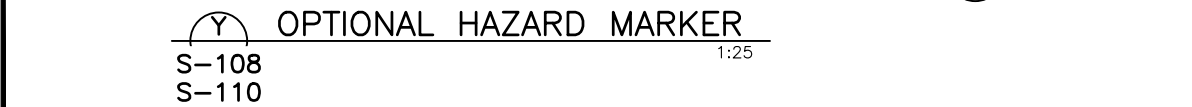
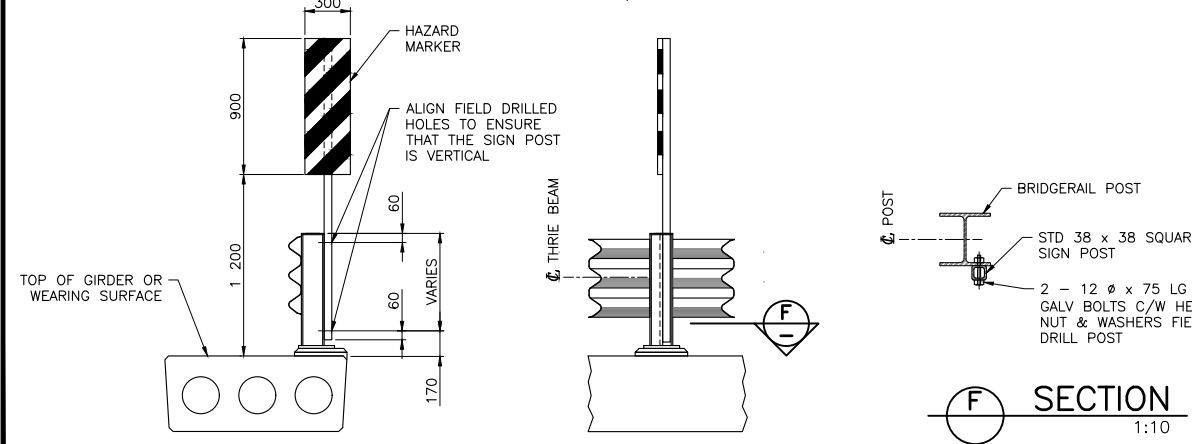
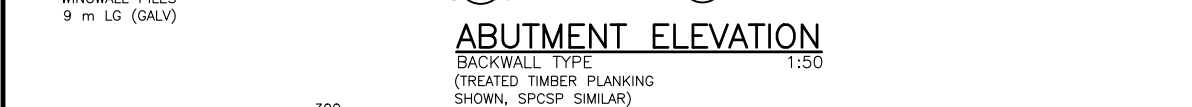
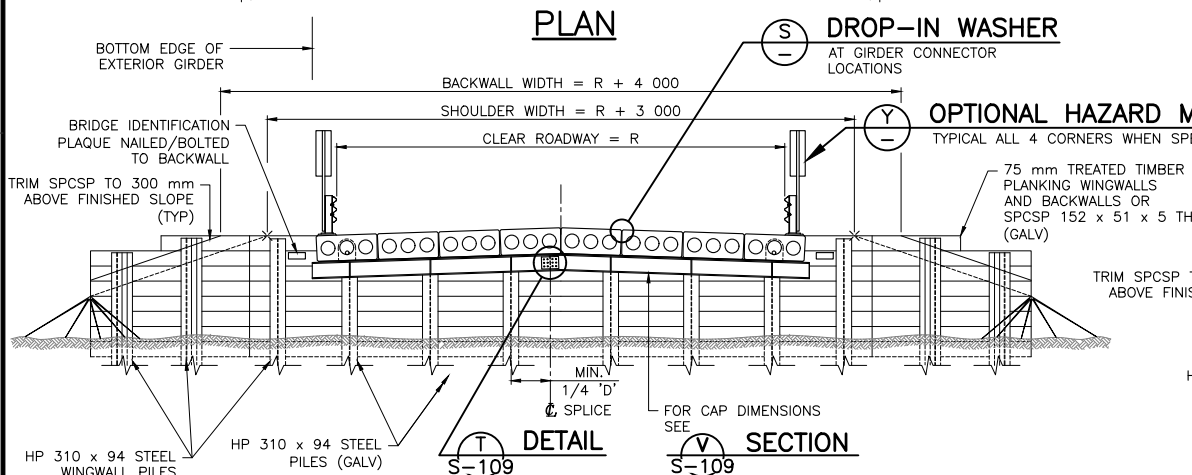
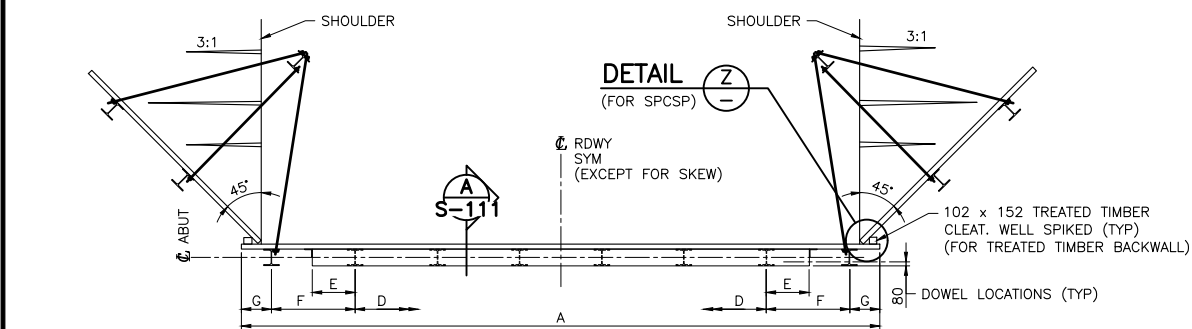


DATA FOR STANDARD SL PRECAST GIRDER BRIDGES – ABUTMENTS

CLEAR ROADWAY (GIRDERS/SPAN)	R	8 940 (8)				10 160 (9)				11 370 (10)				12 590 (11)				13 810 (12)				15 020 (13)				
		ABUTMENT TYPE		SPILL THROUGH		BACKWALL		SPILL THROUGH		BACKWALL		SPILL THROUGH		BACKWALL		SPILL THROUGH		BACKWALL		SPILL THROUGH		BACKWALL		SPILL THROUGH		
SKEW		0°	0°	15°	30°	0°	0°	15°	30°	0°	0°	15°	30°	0°	0°	15°	30°	0°	0°	15°	30°	0°	0°	15°	30°	
OVERALL LENGTH		A	12 740	9 920	10 270	11 455	13 960	11 140	11 533	12 863	15 170	12 350	12 786	14 261	16 390	13 570	14 049	15 669	17 610	14 790	15 312	17 078	18 820	16 000	16 564	18 475
CROWN		B	127	99	99	99	140	111	111	111	152	124	124	124	164	136	136	136	176	148	148	148	188	160	160	160
DIFFERENTIAL FOR ROADWAY GRADE OF	1%	C	0	0	27	57	0	0	30	64	0	0	33	71	0	0	36	78	0	0	40	85	0	0	43	92
	2%	C	0	0	53	115	0	0	60	129	0	0	66	143	0	0	73	157	0	0	79	171	0	0	86	185
	3%	C	0	0	80	172	0	0	90	193	0	0	99	214	0	0	109	235	0	0	119	256	0	0	129	277
NUMBER – LOAD BEARING			6	6	6	6	7	7	7	7	8	8	8	8	9	9	9	9	9	9	9	9	10	10	10	10
SPACING		D	1 642	1 642	1 700	1 896	1 572	1 572	1 627	1 815	1 520	1 520	1 574	1 755	1 482	1 482	1 534	1 711	1 635	1 635	1 693	1 888	1 588	1 588	1 644	1 834
END DISTANCES		E	855	855	885	987	855	855	885	987	855	855	885	987	855	855	885	987	855	855	885	987	855	855	885	987
WINGWALL PILE LOCATION		F	1 665	1 623	1 680	1 874	1 664	1 693	1 753	1 955	1 665	1 745	1 807	2 015	1 667	1 783	1 846	2 059	1 665	1 630	1 688	1 882	1 664	1 677	1 736	1 936
WINGWALL PROJECTION		G	600	600	621	693	600	600	621	693	600	600	621	693	600	600	621	693	600	600	621	693	600	600	621	693
NUMBER OF DOWELS PER LINE			16	16	16	16	18	18	18	18	20	20	20	20	22	22	22	22	24	24	24	24	26	26	26	26
EXTERIOR GIRDER LOCATION FROM BRIDGE		M	4 859	4 859	5 030	5 611	5 467	5 467	5 660	6 313	6 075	6 075	6 289	7 015	6 683	6 683	6 919	7 717	7 291	7 291	7 548	8 419	7 899	7 899	8 178	9 121



* WORK THESE DRAWINGS TOGETHER: S-108-24, S109-24, S-110-24, AND S-111-24 TOGETHER WITH SITE SPECIFIC GENERAL LAYOUT.

Government of Northwest Territories
 Consultant Logo

Rev	Date	Description	Init

Government of Northwest Territories
 STANDARD DRAWING
 TYPE SL-510 PRESTRESSED CONCRETE BRIDGES
 WITH STEEL SUBSTRUCTURES – SHEET 3

DESIGNED	K. HABEL	DATE	OCTOBER 25, 2024
CHECKED	K. WILLIS	DATE	OCTOBER 25, 2024
DRAWN	T. CHIU	DATE	OCTOBER 25, 2024
SCALE	AS SHOWN		
PROJECT No.		DRAWING No.	
		S-110-24	

FILE: \\MEGA\DATA\WORKING\W\2021-2024-00\STRO\MODEL\S-110-24.DWG
 PLOTTED: October 25, 2024

CANCEL PRINTS BEARING PREVIOUS LETTER