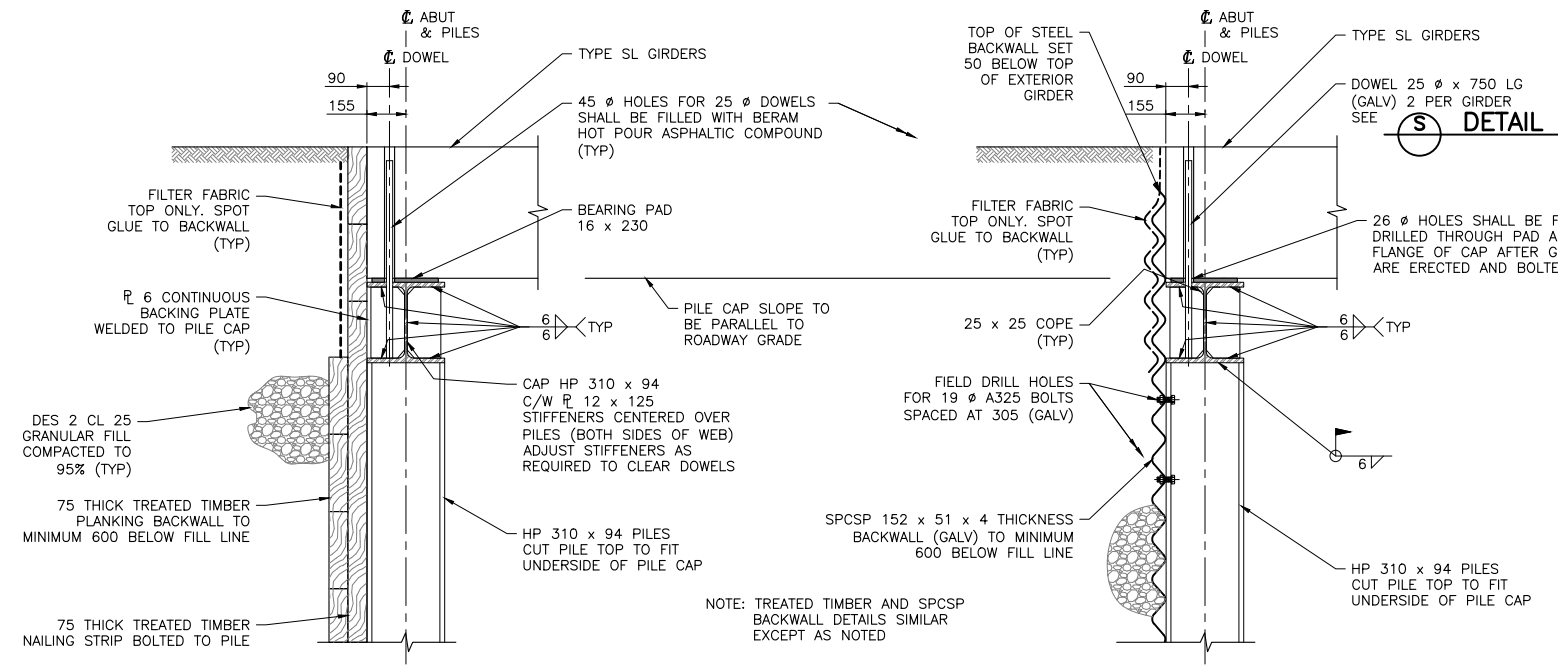


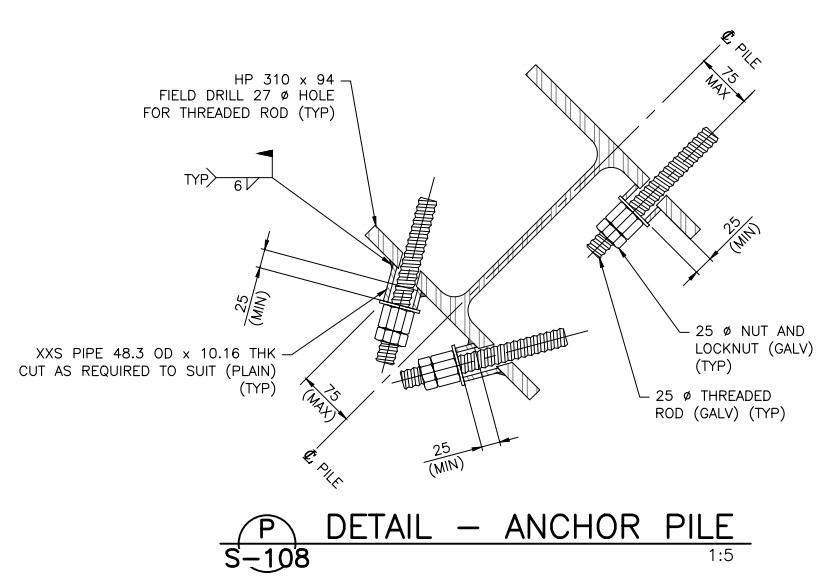
**A BACKWALL - BACKWALL TYPE**  
 (TREATED TIMBER PLANKING)  
 S-108  
 S-110  
 1:15

**A BACKWALL - BACKWALL TYPE**  
 (SPCSP BACKWALL)  
 S-108  
 S-110  
 1:15

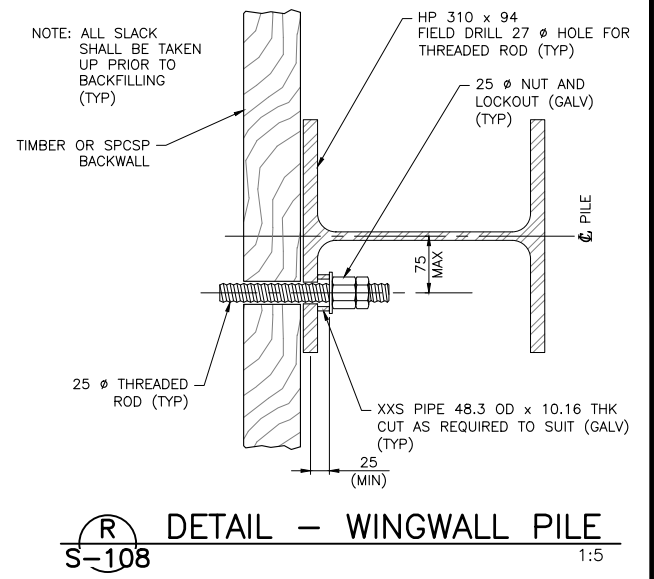


**B BACKWALL - SPILL THROUGH TYPE**  
 (TREATED TIMBER PLANKING)  
 S-108  
 S-110  
 1:15

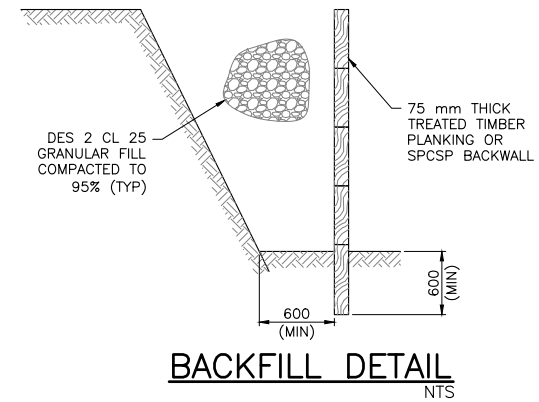
**B BACKWALL - SPILL THROUGH TYPE**  
 (SPCSP BACKWALL)  
 S-108  
 S-110  
 1:15



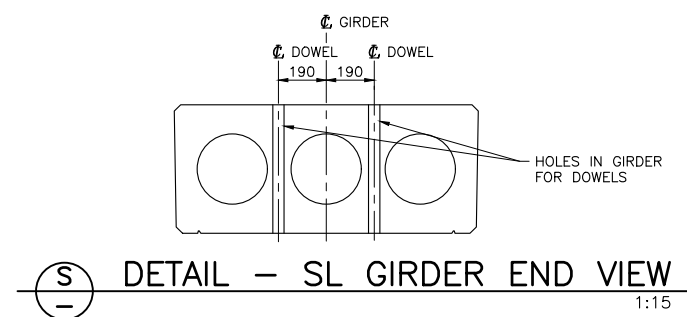
**P DETAIL - ANCHOR PILE**  
 S-108  
 1:5



**R DETAIL - WINGWALL PILE**  
 S-108  
 1:5



**BACKFILL DETAIL**  
 NTS



**S DETAIL - SL GIRDER END VIEW**  
 S-108  
 1:15

\* WORK THESE DRAWINGS TOGETHER: S-108-24, S109-24, S-110-24, AND S-111-24 TOGETHER WITH SITE SPECIFIC GENERAL LAYOUT.

Government of Northwest Territories  
 Consultant Logo

Rev	Date	Description	Init

Government of Northwest Territories  
 STANDARD DRAWING  
 TYPE SL-510 PRESTRESSED CONCRETE BRIDGES  
 WITH STEEL SUBSTRUCTURES - SHEET 4

DESIGNED	K. HABEL	DATE	OCTOBER 25, 2024
CHECKED	K. WILLIS	DATE	OCTOBER 25, 2024
DRAWN	T. CHIU	DATE	OCTOBER 25, 2024
SCALE	AS SHOWN		

PROJECT No.		PREPARED UNDER THE DIRECTION OF	
		K. HABEL	
		ENGINEER OF RECORD	
		DATE	OCTOBER 25, 2024
		DRAWING No.	S-111-24

FILE: \\MECA\DATA\WORKING\W\N\2021-2234-00\STRU\MODEL\S-111-24.DWG  
 PLOTTED: October 25, 2024