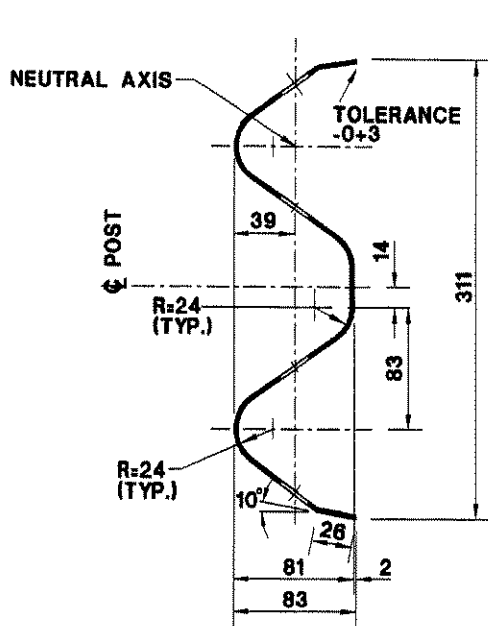
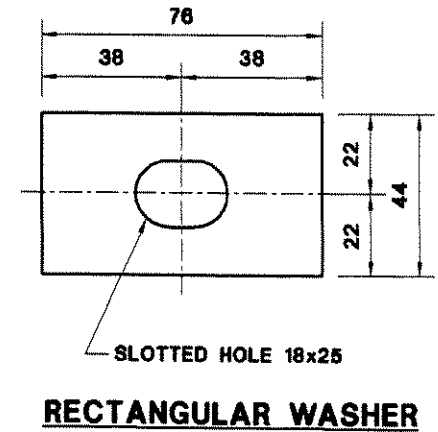
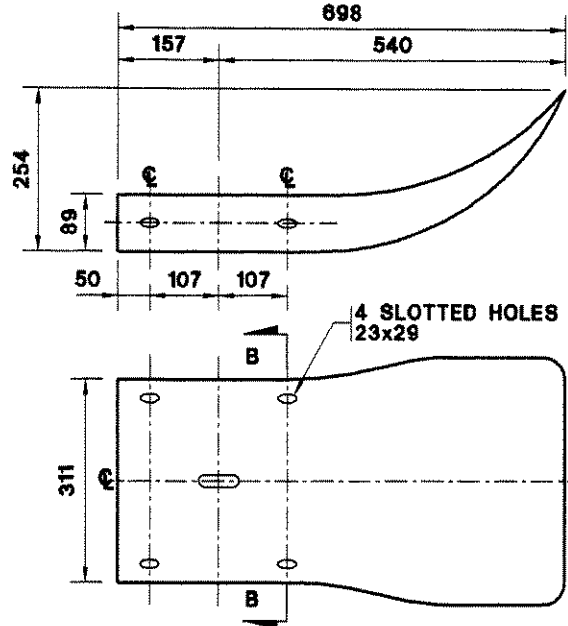


**FRONT ELEVATION OF STANDARD STRAIGHT SECTION - (BEAM)**

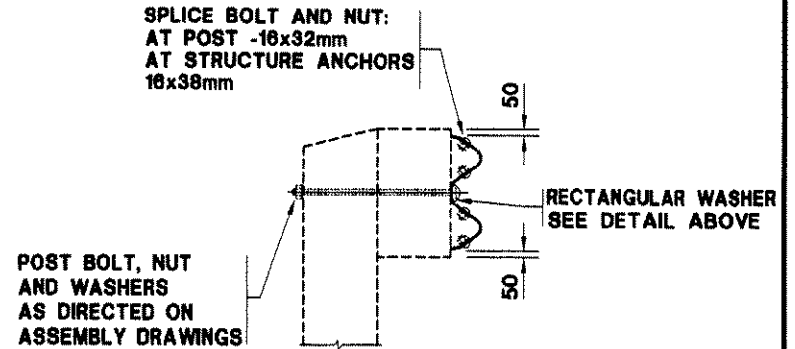


**ENLARGED SECTION A-A**  
(SECTION B-B, SIMILAR)



**STANDARD WING TERMINAL SECTION**

SPLICE BOLT AND NUT:  
AT POST -16x32mm  
AT STRUCTURE ANCHORS  
16x38mm



**ARRANGEMENT AT POST**

**NOTE:**

1. THICKNESS OF RAIL TO BE 2.8mm, THICKNESS OF RECTANGULAR WASHER TO BE 4.0mm.
2. ALL DIMENSIONS ARE SUBJECT TO MANUFACTURING TOLERANCES UNLESS OTHERWISE INDICATED.
3. ALL DIMENSIONS ARE IN MILLIMETRES UNLESS OTHERWISE SPECIFIED.